

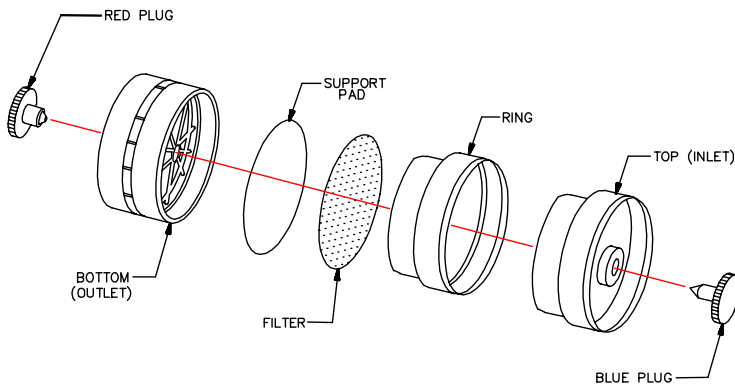
37mm Filter Cassette Configurations

Zefon offers 37mm cassettes as convenient pre-loaded and assembled units that are ready to use OR as empty cassettes that can be loaded with the filters of your choice. They are manufactured in numerous plastic housing materials and have a large selection of compatible filters. The two most common styles are the 2 and 3 piece clear styrene models highlighted below.



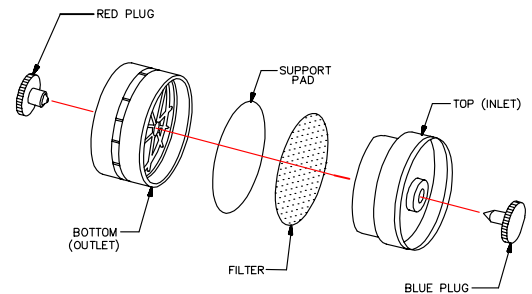
37mm 3-piece Cassette Configuration

3-piece cassettes can be used for both “open face” and “closed face” sampling as well as connect to cyclones. The main disadvantage would be that 3-piece cassettes have more static charge than 2-piece cassettes, resulting in more potential for sample loss.



37mm 2-piece Cassette Configuration

2-piece cassettes are advantageous when only “closed faced” sampling is required. This is because during sampling, contaminants will cling to the walls of the cassette from electrostatic forces. With approximately 35% less surface area in a 2-piece cassette vs a 3-piece cassette, there is less surface area for contaminants to cling to and thus more contaminant where it should be - on the filter membrane.



The term “closed faced” sampling refers to using a 37mm cassette with the inlet in place and only the plugs removed. Alternatively, “open faced” sampling refers to using a 3-piece cassette and removing the inlet piece, thus creating an “open face”.



37mm Air Sampling Filter Cassettes



Features:

- 2 or 3 piece Housing Styles
- Configurations available to conform with most NIOSH standards that require cassettes
- Preloaded, Ready to Use
- Leak free construction eliminates sample loss

Zefon offers a complete line of 37mm air sampling cassettes manufactured to meet all applicable NIOSH, OSHA, and EPA standards. All 37mm cassette housings are manufactured in-house from polystyrene and are available in two or three piece configurations. All 37mm cassettes are individually assembled and preloaded under stringent quality assurance standards with only the finest quality membrane and support pads.

Standard Configurations

FILTER TYPE	PORE SIZE	HOUSING STYLE	PRODUCT NUMBER	PRICE
MCE	0.8μ	3-Piece	738MCE	\$48.00
	0.8μ	2-Piece	728MCE	\$48.00
	0.45μ	3-Piece	7345MCE	\$48.00
PVC (Pure Homopolymer)	5.0μ	3-Piece	735PVC	\$48.00
	5.0μ	2-Piece	725PVC	\$48.00
	0.8μ	3-Piece	738PVC	\$125.00
	0.8μ	2-Piece	728PVC	\$125.00
POLYCARBONATE	0.8μ	3-Piece	738PC	\$85.00
	0.8μ	2-Piece	728PC	\$85.00
	0.45μ	3-Piece	7345PC	\$85.00
	0.45μ	2-Piece	7245PC	\$85.00
GLASS FIBER	1.0μ	3-Piece	731GF	\$58.00
	1.0μ	2-Piece	721GF	\$58.00
PTFE	1.0μ	2-Piece	721TF	\$165.00
	1.0μ	3-Piece	731TF	\$165.00
	0.45μ	3-Piece	7345TF	\$165.00
	2.0μ	2-Piece	722PTPT	\$165.00
	2.0μ	2-Piece	722PTPT-OP*	\$185.00
	5.0μ	3-Piece	735PTU	\$165.00
QUARTZ	0.45μ	3-Piece	734TQ	\$149.00

* Product #722PTPT-OP comes in an opaque colored styrene housing and also uses a cellulose support ring as specified in the NIOSH 5506/5515 standard